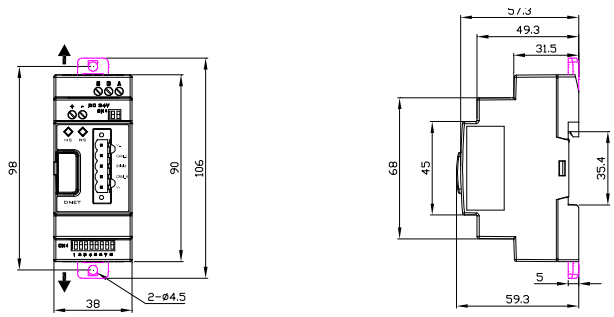


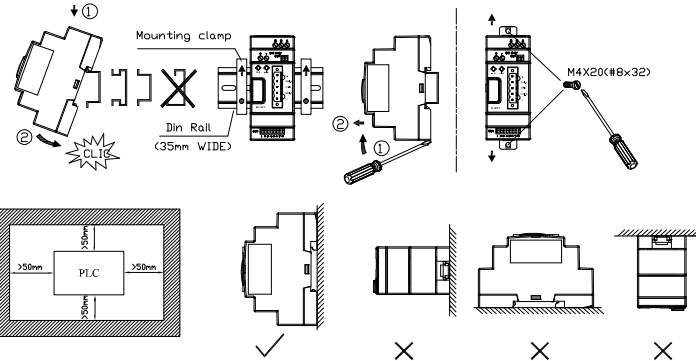
This sheet provides brief operating instructions of the DNET type module. For details, Please refer to the User's Operation Manual.

● Dimensions:

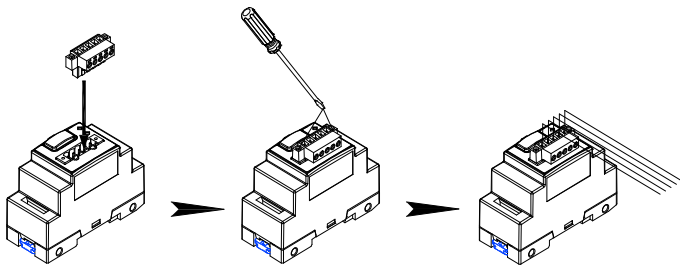
Unit: mm(1inch=25.4mm)



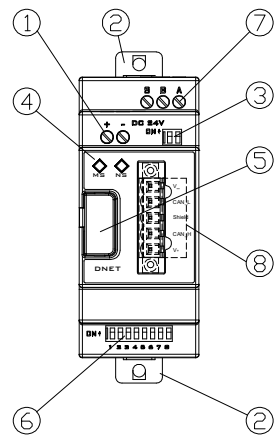
● Mounting:



◆ Install the terminal:

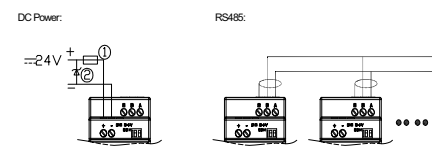


● Name & Function:



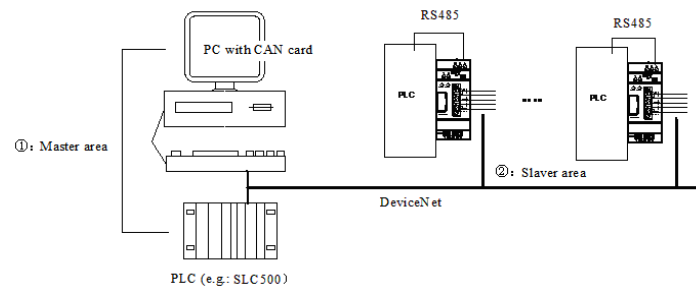
①	Power supply terminals
②	Retractable mounting feet
③	2PIN dip switch (choosing terminating resistors)
④	Module state LED/ Network state LED
⑤	Press-button
⑥	8PIN dip switch (SW1-1~SW1-8) SW1-1~1-6: Setup network ID SW1-7~1-8: Setup baud rate
⑦	RS485
⑧	Terminal block(5PIN)

● Wiring:

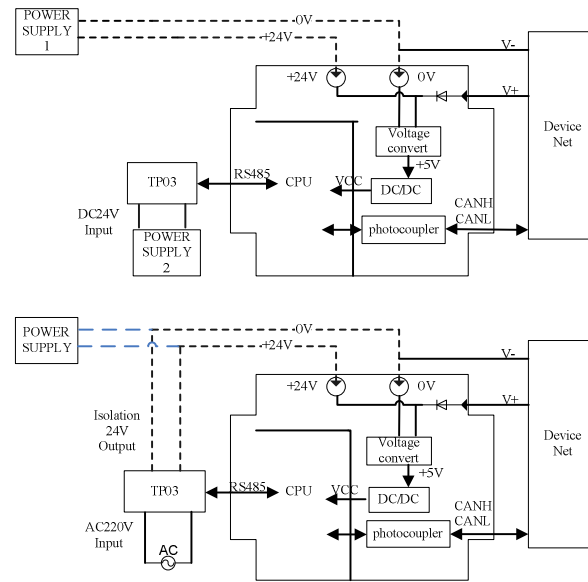


□: A quick-blowing fuse, circuit-breaker or circuit protector.
□: Surge absorber.

◆ Communication (product DNET):



◆ Electronic Isolation (product TP03-DNET):



● Net Function Setting:

DNET module contains several net functions, which uses SW1_7~SW1_8 of SW1 (8PIN) to choose. DNET module is set as TP03-DNET net function only when SW1_8 is OFF and SW1_7 is ON.

◆ Setting Address and Baud Rate

TP03-DNET module supports the baud rate auto-check. It supports 125Kbps, 250Kbps and 500Kbps 3 kinds of baud rate which is defined by the DeviceNet Protocol.

Equipment powers up with the node address which based on the hardware. Net instrument can't modify baud rate or node address.

SW1 information (when DIP switch is ON it means 1):

Function	DIP switch place	DIP switch status	Information
Setting node address	SW1_6~SW1_1	000000	Net address is 0
		000001	Net address is 1
	
		111110	Net address is 62
		111111	Net address is 63
Choosing DNET Function	SW1_8~SW1_7	00	Setting error
		01	TP03-DNET
		10 or 11	Other functions

● LED Indicator:

◆ Module status LED (MS) :

Two colors LED (green and red) indicate TP03-DNET module status, it can be used watch the device working correctly or not. MS LED information:

Module led (MS)	Status	Information	Remark
Off	No exist	No power up	
Green and red flash	Self check	Power up self checking	
Green flash	Waiting	Connected with TP03 basic unit error	
Green on	Operation	The device is operating in a normal condition.	
Red flash	Recoverable Fault	Recoverable Fault.	Communication with TP03 basic unit error.
Red on	Unrecoverable Fault	The device has an unrecoverable fault; may need replacing.	Device hardware error.

◆ Net status LED (NS) :

Two colors LED (green and red) indicate the status of net bus; it can be used watch TP03-DNET status in the net..NS LED information:

Net led (NS)	Status	Information	Remark
Off	No exist	No power up	
Off	Not on line	The device has not completed the Dup_MAC_ID test yet.	
		Adapting the baud rate	Adjusting the baud rate voluntarily
Green flash	On line , but not connected	The device has passed the Dup_MAC_ID test, is on-line, but has no established connections to other nodes.	
Green on	On line and connected	The device is on-line and has connections in the established state.	
Red flash	Connection time out	IO connection time out	
Red on	Communication error	Dup_MAC_ID check error or Bus-off event or baud rate error	
Green and red flash	Communication fault and receive the point to point message which distinguishes the fault		Do not support this message