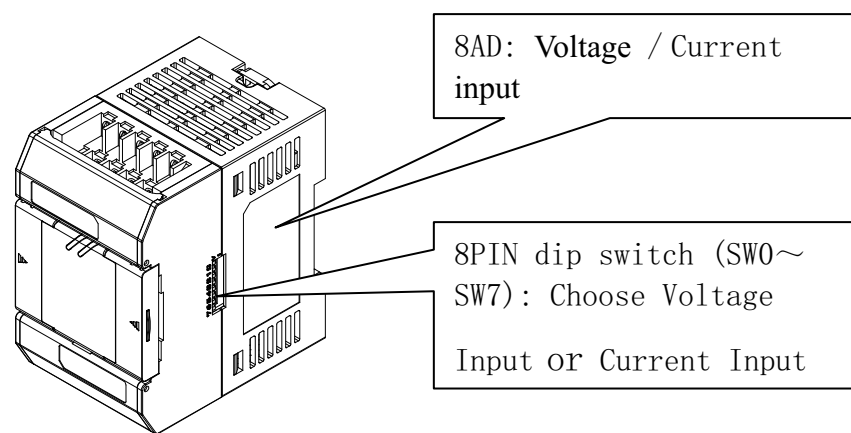


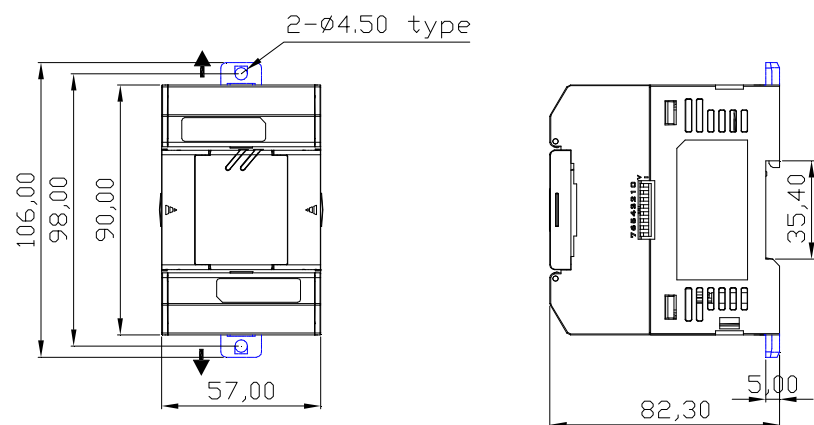
This sheet provides brief operating instructions of the PLC 8AD module. For details, please refer to the User's Operation Manual.

● **8AD module:**

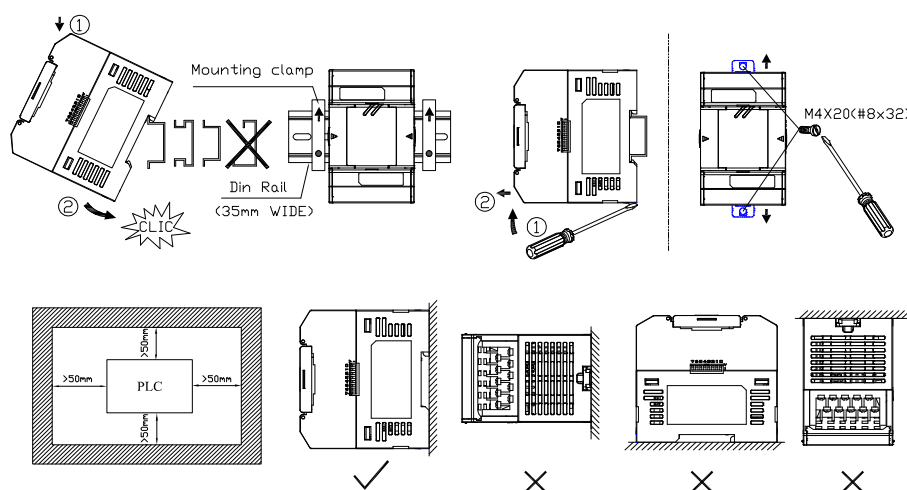


● **Dimensions:**

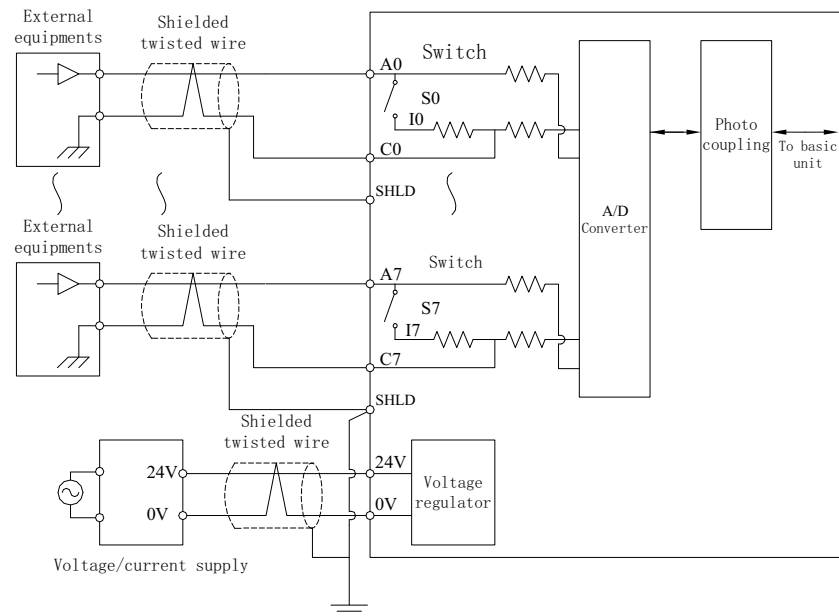
Unit: mm (1 inch = 25.4mm)



● **Mounting:**



● **Wiring:**



Note1: When one channel of the 8PIN dip switch (SW0~SW7) is set "V", please input Voltage Signal to the corresponding terminal.

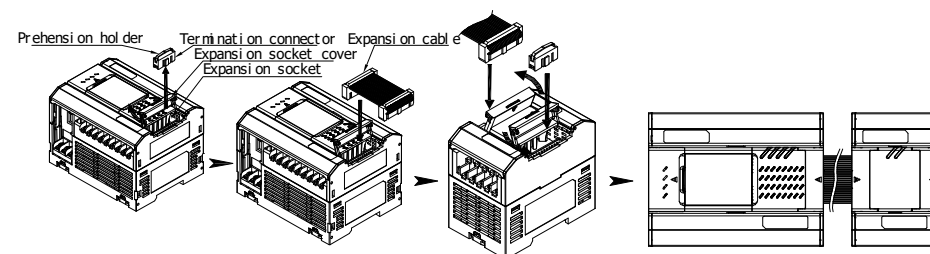
Note2: When one channel of the 8PIN dip switch (SW0~SW7) is set "I", please input Current Signal to the corresponding terminal.

Note3: When connect electric wire, Please choose the suitable electric wire: **AWG 22~14;** screw torque value: **8Kg-cm.**

● **Installation for expansion cable and termination connector:**

Turn off the PLC power supply, and be sure to follow the procedures given below, shown as the fig.

- (1) Open the expansion socket cover;
- (2) Withdraw the termination connector from the main type module at right side;
- (3) Plug the expansion cable to the expansion socket cover of the main type module;
- (4) Then plug the connector in the other end of expansion cable to the expansion socket cover of the expansion module;
- (5) And the termination connector should be installed in the other side of the expansion module;
- (6) Close the expansion socket cover.



Note 1: Please remove termination connector from the expansion socket by prehension holder.

Note 2: Please notice the direction when using expansion cable and termination connector.

● **LED Display:**

PWR LED and LNK LED are used to monitor the 8AD module power supply status.

LED state	Description	Corrective Actions
PWR LED		

OFF	No power supply or the 8AD module connect with the 5V power of main module is not ok	1. Verify the power supply of 8AD unit. 2. Verify the expansion cable connect is ok
Green on	The external 24V power supply is ok	
LNK LED		
OFF	The 8AD module connect with the 5V power of main module is not ok	Verify the expansion cable connect is ok
Green on	The 8AD module connect with the 5V power of main module is ok	

● **Electricity function:**

Item	Specification	
	Voltage	Current
input range	0V~10V or 1V~5V	0mA~20mA or 4mA~20mA
	Input impedance 30KΩ	Input impedance 250Ω
Data range	0000 (0V) ~4000 (10V) or 0000 (1V) ~2000 (5V)	0000 (0mA) ~2000 (20mA) or 0000 (4mA) ~2000 (20mA)
Resolution	2.5 mV	10 μA
Accuracy	±1%(at 20 °C)	±1%(at 20 °C)

● **Terminal:**

A0 ~ A7	Analog input terminal
SHLD	Please connect Shielded terminal to FG on the House. And all shielded terminals are internally connected.
C0 ~ C7	Common terminal for A0~A7
+24V	24VDC input terminal(+)
0V	24VDC input terminal(-)