



YASKAWA

YASKAWA AC Drive-Option Card CC-Link Installation Manual

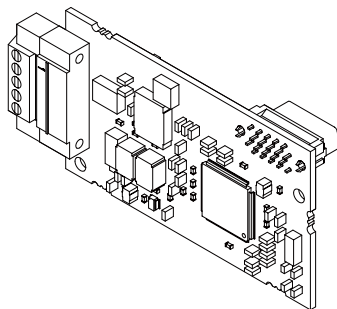
Type SI-C3

To properly use the product, read this manual thoroughly and retain for easy reference, inspection, and maintenance. Ensure the end user receives this manual.

安川インバータ オプションカード CC-Link 通信 取扱説明書

形式 SI-C3

製品を安全にお使い頂くために、この取扱説明書を必ずお読みください。
また、本書をお手元に保管していただくとともに、最終的に本製品をご使用になるユーザー様のお手元に確実に届けられるよう、お取り計らい願います。



This Page Intentionally Blank



Table of Contents

1 PREFACE AND SAFETY	5
2 PRODUCT OVERVIEW	9
3 RECEIVING	10
4 CC-LINK OPTION COMPONENTS.....	11
5 INSTALLATION PROCEDURE.....	13
6 CC-LINK OPTION DRIVE PARAMETERS	20
7 BASIC FUNCTIONS	22
8 CC-LINK DATA TABLE.....	24
9 TROUBLESHOOTING.....	28
10 SPECIFICATIONS.....	36

Copyright © 2008 YASKAWA ELECTRIC CORPORATION

All rights reserved. No part of this publication may be reproduced, stored in a retrieval system, or transmitted, in any form, or by any means, mechanical, electronic, photocopying, recording, or otherwise, without the prior written permission of Yaskawa. No patent liability is assumed with respect to the use of the information contained herein. Moreover, because Yaskawa is constantly striving to improve its high-quality products, the information contained in this manual is subject to change without notice. Every precaution has been taken in the preparation of this manual. Yaskawa assumes no responsibility for errors or omissions. Neither is any liability assumed for damages resulting from the use of the information contained in this publication.

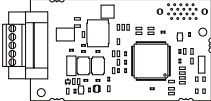
1 Preface and Safety

Yaskawa manufactures products used as components in a wide variety of industrial systems and equipment. The selection and application of Yaskawa products remain the responsibility of the equipment manufacturer or end user. Yaskawa accepts no responsibility for the way its products are incorporated into the final system design. Under no circumstances should any Yaskawa product be incorporated into any product or design as the exclusive or sole safety control. Without exception, all controls should be designed to detect faults dynamically and fail safely under all circumstances. All systems or equipment designed to incorporate a product manufactured by Yaskawa must be supplied to the end user with appropriate warnings and instructions as to the safe use and operation of that part. Any warnings provided by Yaskawa must be promptly provided to the end user. Yaskawa offers an express warranty only as to the quality of its products in conforming to standards and specifications published in the Yaskawa manual. **NO OTHER WARRANTY, EXPRESS OR IMPLIED, IS OFFERED.** Yaskawa assumes no liability for any personal injury, property damage, losses, or claims arising from misapplication of its products.

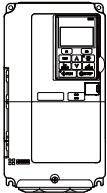
◆ Applicable Documentation

The following manuals are available for the CC-Link Option:

Option card

	YASKAWA AC Drive-Option Card CC-Link Installation Manual Manual No. : TOBPC73060044
	Read this manual first. The installation manual is packaged with the CC-Link Option and contains a basic overview of wiring, settings, functions, and fault diagnoses.
	YASKAWA AC Drive-Option Card CC-Link Technical Manual Manual No. : SIEPC73060044
	The technical manual contains detailed information and command registers. To obtain the technical manual access the site below: http://www.e-mechatronics.com

Drive

	Refer to the manual of the drive this option is being used with. The instruction manual for the drive covers basic installation, wiring, operation procedures, functions, troubleshooting, and maintenance information. It also includes important information on parameter settings and how to tune the drive. A Quick Start Guide is included with the drive. To obtain the Technical Manual, access Yaskawa's homepage, http://www.e-mechatronics.com .
---	---

1 Preface and Safety

◆ Terms

Note: Indicates supplementary information that Yaskawa highly recommends be followed, even though equipment may not be at risk.

CC-Link Option: Yaskawa AC Drive SI-C3 CC-Link Option Card

◆ Registered Trademarks

- CC-Link is a registered trademark of the CC-Link Partner Association.
- Other company names and product names listed in this manual are registered trademarks of those companies.

◆ Supplemental Safety Information

Read and understand this manual before installing, operating, or servicing this option card. The option card must be installed according to this manual and local codes.

The following conventions are used to indicate safety messages in this manual. Failure to heed these messages could result in serious or possibly even fatal injury or damage to the products or to related equipment and systems.

DANGER

Indicates a hazardous situation, which, if not avoided, will result in death or serious injury.

WARNING

Indicates a hazardous situation, which, if not avoided, could result in death or serious injury.

CAUTION

Indicates a hazardous situation, which, if not avoided, could result in minor or moderate injury.

NOTICE

Indicates an equipment damage message.

1 Preface and Safety

■ General Safety

General Precautions

- The diagrams in this section may include option cards and drives without covers or safety shields to illustrate details. Be sure to reinstall covers or shields before operating any devices. The option should be used according to the instructions described in this manual.
- Any illustrations, photographs, or examples used in this manual are provided as examples only and may not apply to all products to which this manual is applicable.
- The products and specifications described in this manual or the content and presentation of the manual may be changed without notice to improve the product and/or the manual.
- When ordering a new copy of the manual due to damage or loss, contact your Yaskawa representative or the nearest Yaskawa sales office and provide the manual number shown on the front cover.

DANGER

Heed the safety messages in this manual.

Failure to comply will result in death or serious injury.

The operating company is responsible for any injuries or equipment damage resulting from failure to heed the warnings in this manual.

NOTICE

Do not expose the drive to halogen group disinfectants.

Failure to comply may cause damage to the electrical components in the option card.

Do not pack the drive in wooden materials that have been fumigated or sterilized.

Do not sterilize the entire package after the product is packed.

Do not modify the drive circuitry.

Failure to comply could result in damage to the drive and will void warranty.

YASKAWA is not responsible for any modification of the product made by the user. This product must not be modified.

2 Product Overview

◆ About This Product

CC-Link Option (Model: SI-C3) is designed for connecting a drive to a field network using the CC-Link protocol. This option is conforming to CC-Link Ver.1.10.

By installing the CC-Link Option to a drive, it is possible to do the following from a CC-Link master device:

- operate the drive
- monitor the operation status of the drive
- change parameter settings.

The logo for CC-Link, featuring the text "CC-Link" in a stylized, bold, sans-serif font. The "CC" is larger and more prominent than the "Link" part.

Figure 1 CC-Link Approved

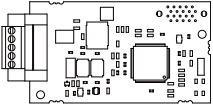



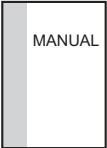
3 Receiving

Please perform the following tasks after receiving the CC-Link Option:

- Inspect the CC-Link Option for damage.
If the CC-Link Option appears damaged upon receipt, contact the shipper immediately.
- Verify receipt of the correct model by checking the information on the PCB (see [Figure 2](#)).
- If you have received the wrong model or the CC-Link Option does not function properly, contact your supplier.

◆ Contents and Packaging

Table 1 Contents of Package

Description:	Option Card	Ground Cable	Screws	LED Label	Installation Manual
—					
Quantity:	1	1	3	1	1

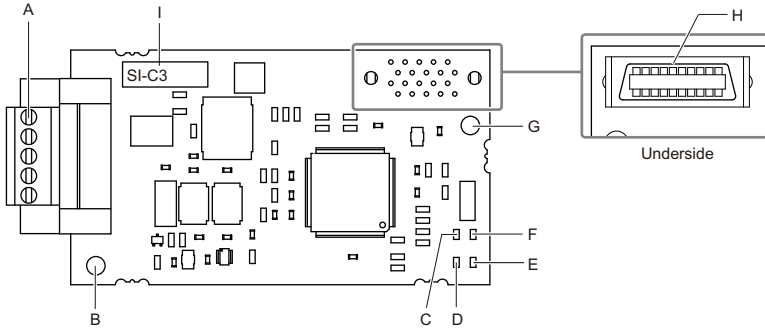
◆ Tool Requirements

A Phillips screwdriver (M3) metric or (#1, #2) U.S. standard size is required to install the CC-Link Option.

A straight-edge screwdriver (M2, M3) is required to wire the terminal block.

4 CC-Link Option Components

◆ CC-Link Option



- A – Terminal block
- B – Ground terminal (Installation Hole)
- C – LED (L.ERR)
- D – LED (RD)
- E – LED (SD)
- F – LED (L.RUN)
- G – Installation hole
- H – Connector (CN5)
- I – PCB part number

Figure 2 Option Card

Note: For details on the LEDs, [Refer to CC-Link Option LED Display on page 12](#) and [Fault LED Display on CC-Link Option Side on page 31](#).

◆ Terminal Block

Table 2 Terminal Descriptions

Terminal	Name	Description
1	DA	Comm. Data +
2	DB	Comm. Data –
3	DG	Signal Ground
4	SLD	Shield
5	SLD	Shield

4 CC-Link Option Components



Figure 3 CC-Link Option Terminal Block

◆ CC-Link Option LED Display

Table 3 CC-Link Operation LED Status

Name	Indication		Operating Status	Remarks
	Color	Status		
L.RUN	Green	ON	Normal operation	<ul style="list-style-type: none"> Receiving data normally
		OFF	Timed out	<ul style="list-style-type: none"> Timed out waiting to receive Logging onto the network During reset
L.ERR	Red	ON	CRC error	<ul style="list-style-type: none"> CRC error Station address setting error (F6-10 = 0)
		OFF	During communications	<ul style="list-style-type: none"> Normal communications During reset
SD	Red	ON	Sending data	<ul style="list-style-type: none"> Sending data Note: LED may appear to flash with slower baud rates.
		OFF	No data transfer	<ul style="list-style-type: none"> No data being sent During reset
RD	Red	ON	Detecting data received	<ul style="list-style-type: none"> Detecting data that was received Note: LED may appear to flash with slower baud rates.
		OFF	Waiting for data	<ul style="list-style-type: none"> Data not yet received During reset

◆ Setting Station Address

Set drive parameter F6-10 to a station address (Range 1 to 64) unique to the network. If set to 0, the L.ERR light will turn on and a Station Address Error (AEr) will occur.

5 Installation Procedure

◆ Section Safety

DANGER

Electrical Shock Hazard

Power to the drive must be shut off when installing the CC-Link Option.

Even though the power has been shut off, voltage still remains in the drive's DC bus. Wait before removing the front cover once the drive has been turned off.

The CHARGE light on the drive will go out after voltage in the DC bus drops below 50 V, at which point it is safe to remove the front cover.

Due to the risk of electric shock, be sure that all LEDs have gone out and that the DC bus voltage has reached a safe level prior to performing any work on the drive.

WARNING

Electrical Shock Hazard

Do not remove the front cover of the drive while the power is on.

Failure to comply could result in death or serious injury.

The diagrams in this section may include option cards and drives without covers or safety shields to show details. Be sure to reinstall covers or shields before operating any devices. The option should be used according to the instructions described in this manual.

Do not allow unqualified personnel to use equipment.

Failure to comply could result in death or serious injury.

Maintenance, inspection, and replacement of parts must be performed only by authorized personnel familiar with installation, adjustment, and maintenance of this product.

Do not touch circuit boards while the power to the drive is on.

Failure to comply could result in death or serious injury.

NOTICE

Damage to Equipment

Observe proper electrostatic discharge procedures (ESD) when handling the option card, drive, and circuit boards.

Failure to comply may result in ESD damage to circuitry.

Never shut the power off while the drive is outputting voltage.

Failure to comply may cause the application to operate incorrectly or damage the drive.

Do not operate damaged equipment.

Failure to comply may cause further damage to the equipment.

Do not connect or operate any equipment with visible damage or missing parts.

Tighten all terminal screws to the specified tightening torque.

Loose electrical connections could result in death or serious injury by fire due to overheating of electrical connections.

Do not use unshielded cable for control wiring.

Failure to comply may cause electrical interference resulting in poor system performance.

Use shielded twisted-pair wires and ground the shield to the ground terminal of the drive.

Properly connect all pins and connectors.

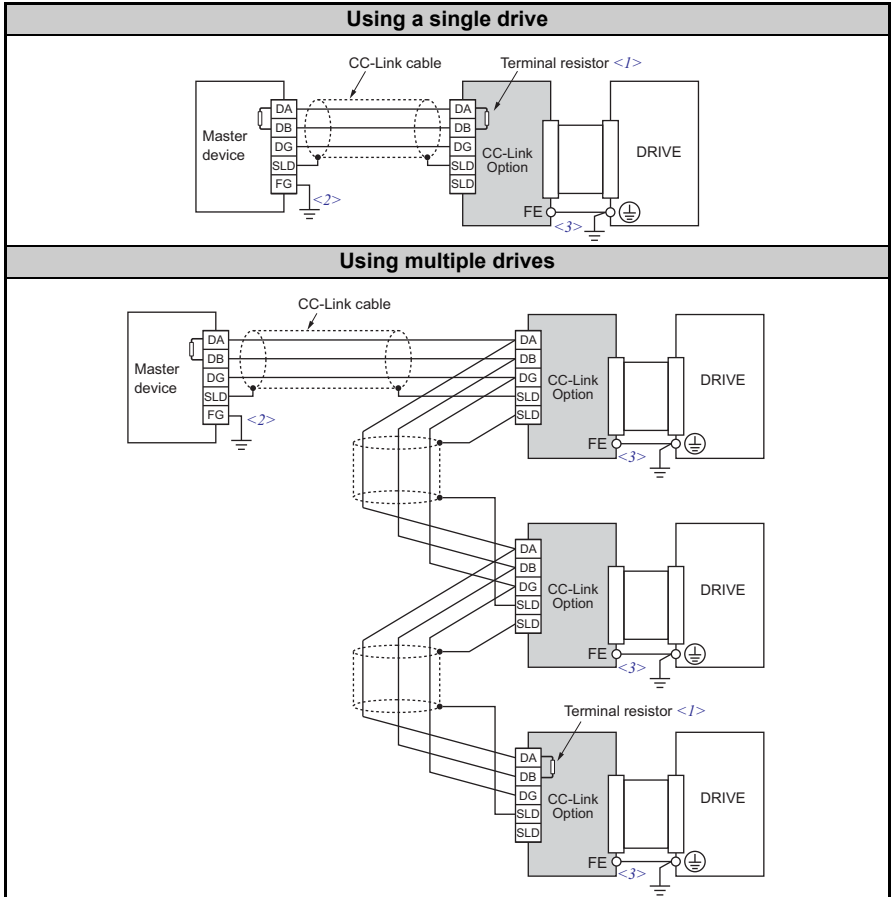
Failure to comply may prevent proper operation and possibly damage equipment.

Check wiring to ensure that all connections are correct after installing the option card and connecting any other devices.

Failure to comply may result in damage to the CC-Link option.

◆ Connection Diagram

Table 4 Connection Diagram



<1> The user must set up the drive for terminal resistor. For instructions, see [Terminal Resistor Connection on page 19](#).

<2> Make sure that the FG terminal on the master drive is grounded properly.

<3> The FE terminal on the CC-Link Option is supplied with a ground cable that should be connected to the ground terminal on the drive.

5 Installation Procedure

◆ Prior to Installing the Option Card

Prior to installing the DeviceNet Option, wire the drive and make necessary connections to the drive terminals. Refer to the Quick Start Guide for the drive the CC-Link Option is connected to for information on wiring and connecting the drive. Verify that the drive runs normally without the option installed.

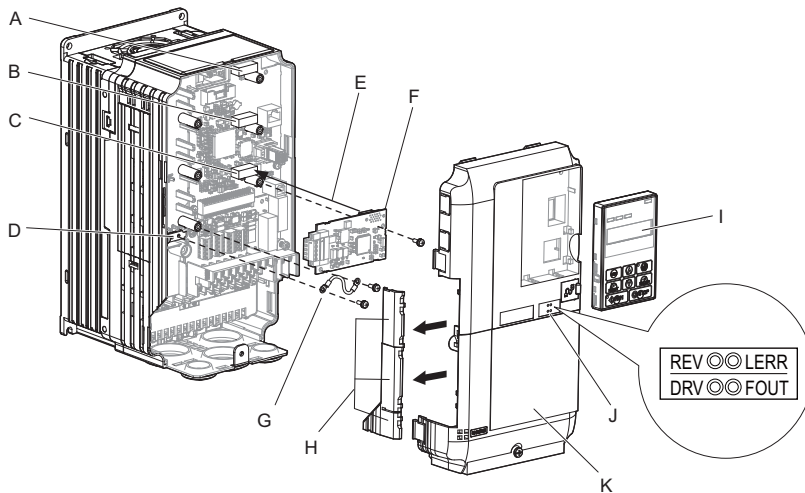
◆ Installing the CC-Link Option

This CC-Link Option can be inserted into the either only CN5-A connectors located on the drive's control board.

See the drive manual for directions on removing the front cover.

1. Shut off power to the drive, wait the appropriate amount of time for voltage to dissipate, then remove the operator and front cover.
2. Insert the CN5 connector on the CC-Link Option into the matching CN5 connector on the drive, then fasten it into place using one of the screws included with the CC-Link Option.
Connect one of the lead lines using one of the screws to the ground terminal. Three separate lead lines have been included with the CC-Link Option to connect to three separate ports. Use the lead line with the length appropriate for the distance of the port.

Note: There are only two screw holes on the drive for ground terminals. If three option cards are connected, two of the lead lines will need to share the same ground terminal.



- | | |
|--|--|
| A – Connector CN5-C | G – Lead line |
| B – Connector CN5-B | H – Use wire cutters to create an opening for cable lines |
| C – Connector CN5-A | I – Operator |
| D – Drive grounding terminal (FE) | J – LED label |
| E – Insert connector CN5 here | K – Front cover |
| F – CC-Link Option | |

Figure 4 Installing the Option

- Wire the CC-Link Option to the terminal block on the CC-Link Option.
For wiring instructions, see [Connection Diagram on page 15](#).
For exposed cables in drives 2A004 to 0069, 4A0002 to 0044, use a pair of wire cutters to create an opening on the left side of the front cover that allows wiring to pass through. Sharp edges along the opening that was created should be smoothed down with a file or sand paper so prevent any damage to the wires.
Drives 2A0081 to 0021, 4A0058 to 0165 have enough space to keep all wiring inside the unit.

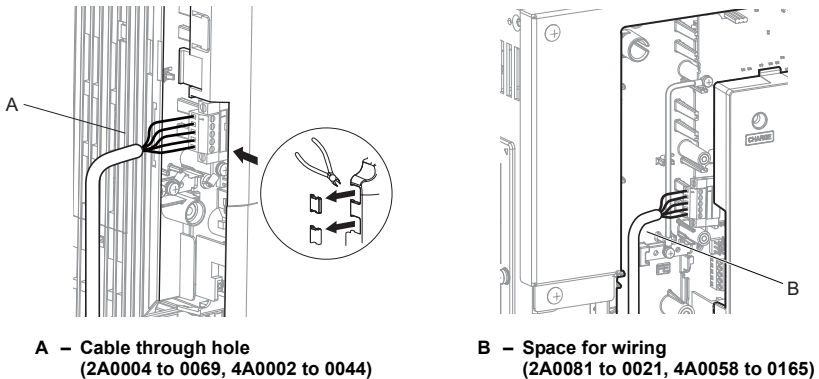


Figure 5 Wiring space

- Place the front cover back onto the drive as it was before.
- Note:**
- Take care when wiring the CC-Link Option so that the front cover easily fits back onto the drive.
 - Install Cable Cover option to maintain the drive Enclosure Type.
- Attach the LED label packaged with the option card as shown in [Figure 3](#).

5 Installation Procedure

◆ Communication Cable Wiring

■ Procedure

Follow the instructions below to connect the communications cable to the terminal block.

NOTICE: Tighten all terminal screws according to the specified tightening torque. Failure to comply can cause a short-circuit or drive malfunction.

1. Connect the communications cable to the terminal block as shown in the diagram below.

Note: Communication lines should be separated from main circuit wiring and other electrical lines. (Tightening torque: 0.22 to 0.25 (N·m))

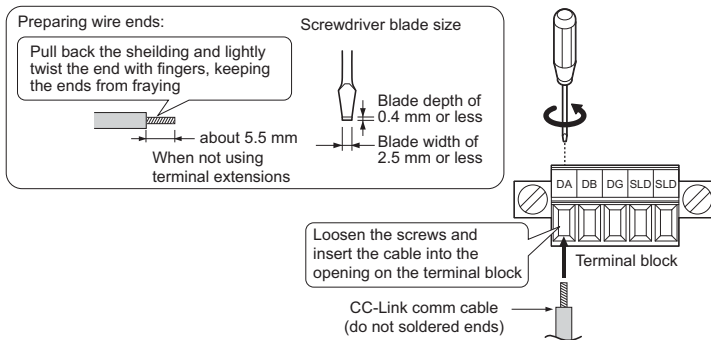


Figure 6 Comm Cable Wiring

2. Take particular precautions to ensure that each cable is properly connected, and that wire covering has not been accidentally inserted into the terminals.
3. After the terminal block is fully attached to the CC-Link option, tighten the screws on the left and right sides of the terminal block. (Tightening torque: 0.22 to 0.25 (N·m))

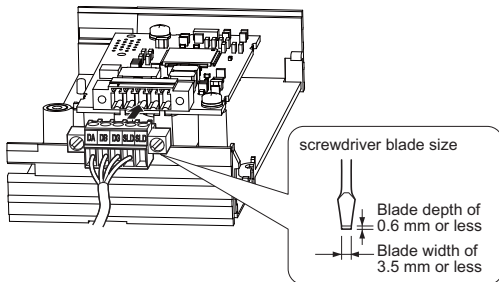


Figure 7 Terminal Block Installation

■ Communication Cable Specifications

Use only CC-Link dedicated communication cable; the Yaskawa warranty does not cover other cable types. For more information on cables, refer to the CC-Link website at <http://www.cc-link.org/>.

■ Terminal Resistor Connection

When the CC-Link Option is the last station connected in a CC-Link network, the terminal resistor needs to be set to that CC-Link Option. Follow the instructions below.

1. Cut the terminal resistor tube as shown.

Note: For the terminal resistor, either use what is already built into the master unit, or use a standard-market resistor of $110\ \Omega$, $\pm 5\%$ (1/2 W).

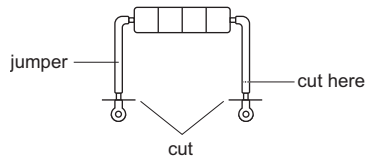


Figure 8 Terminal Resistor

2. Loosen the attachment screw and insert the terminal resistor described in the first step between terminals DA and DB.

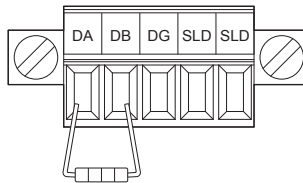


Figure 9 Terminal Resistor Wiring

6 CC-Link Option Drive Parameters

Confirm proper setting of the all parameters in *Table 5* before starting network communications.

Table 5 Parameter Settings

No.	Name	Description	Default
b1-01 </>	Frequency Reference Selection	Selects the frequency reference input source 0: Operator - Digital preset speed d1-01 to d1-17 1: Terminals - Analog input terminal A1 or A2 2: MEMOBUS communications 3: Option PCB 4: Pulse Input (Terminal RP)	1
b1-02 </>	Run Command Selection	Selects the run command input source 0: Digital Operator - RUN and STOP keys 1: Digital input terminals S1 to S7 2: MEMOBUS communications 3: Option PCB	1
F6-01	Operation Selection after Communications Error	Determines drive response when a bUS error is detected during communications with the CC-Link Option 0: Ramp to Stop 1: Coast to Stop 2: Fast-Stop 3: Alarm Only </>	1
F6-02	External Fault Detection Conditions (EF0)	Sets the condition for external fault detection (EF0) 0: Always detected. 1: Detected only during operation.	0
F6-03	Stopping Method for External Fault from Communication Option	Determines drive response for external fault input (EF0) detection during CC-Link communication 0: Ramp to Stop 1: Coast to Stop 2: Fast-Stop 3: Alarm Only </>	1
F6-04 </>	bUS Error Detection Delay Time	Set the maximum time the drive should wait for a communication error to occur (bUS). Range 0.0 to 5.0 s	0.0 s </>
F6-06 </>	Torque Reference/Torque Limit Selection from Communications Option	0: Torque reference / torque limit via network communications are disabled. 1: Torque reference / torque limit via network communications are enabled. </>	0
F6-07	NetRef/ComRef Selection Function	0: Multi-step speed reference disabled (F7 mode) 1: Multi-step speed reference allowed (V7 mode)	1

6 CC-Link Option Drive Parameters

No.	Name	Description	Default
F6-08	Reset Communication Related Parameters	Determines which communication-related parameters are set back to their original default values when the drive is initialized. 0: Do not reset F6-□□ and F7-□□ parameters when the drive is initialized using parameter A1-03. 1: Rest F6-□□ and F7-□□ parameters when the drive is initialized using parameter A1-03. Note: Setting this parameter does not affect communication-related parameters.	0
F6-10 <6>	Station Address <7>	0 to 64	0
F6-11 <6>	Comm Speed	0: 156 kbps 1: 625 kbps 2: 2.5 Mbps 3: 5 Mbps 4: 10 Mbps	0
F6-14	bUS Error Auto Reset	0: Disabled 1: Enabled	0

- <1> To start and stop the drive with the CC-Link master device using serial communications, set b1-02 to "3". To control the frequency reference of the drive via the master device, set b1-01 to "3".
- <2> If set to 3, then the drive will continue to operate when a fault is detected. Take proper measures such as installing an emergency stop switch.
- <3> The drive default setting is 2.0 s, but this default setting will automatically be changed to 0.0 s when CC-Link option is connected.
- <4> Enabled in CLV, PM OLV 2, and PM CLV control modes (A1-02 = 3, 6, or 7). When enabled, d5-01 determines whether the value is read as the torque limit value (d5-01 = 0) or read as the torque reference value (d5-01 = 1). In Closed Loop Vector for PM motors, this value is read as the torque limit.
- <5> Default setting specifies that the torque reference or torque limit is to be provided via network communications (F6-06 = 1). The motor may not rotate if no torque reference or torque limit is supplied from the PLC.
- <6> Power must be cycled in order for any setting changes to take affect.
- <7> All station addresses must be unique. If set to 0, the L.ERR light will turn on and a Station Address Error (Aer) will occur.

7 Basic Functions

This interface allows the drive to be connected to a CC-Link network as a remote device, making it possible to operate, adjust settings, and monitor the operation status of the drive using the PLC program. Both bit and word data cyclic transmission are available, and high speed communication up to 10 Mbps is possible.

Below is a description of the basic CC-Link functions that can be performed by the PLC.

Note: Set parameters when operating the drive from a PLC. For instructions, see [CC-Link Option Drive Parameters on page 20](#).

◆ Monitors

The user can monitor drive operating status from a PLC.

To do so, the monitor should be set up as follows:

1. Sets the monitor code to the remote register RW_{W0} .
2. Switch the RYC signal on.
 - Data for the monitor code is stored in the PLC's buffer memory.

Note: Refer to the technical manual for the drive the CC-Link Option is connected to for a list of monitor codes and units.

◆ Reading and Setting Parameters

The PLC can write drive parameters, read drive data and operation status, and change settings.

Follow the directions below.

1. Set the command code to remote register RW_{W2} .
 - Set the write data to RW_{W3} as needed.
2. Switch on the RYF signal (request to execute the command code).
 - Drive executes the process and reply data that correspond with the command code.
 - Command codes for drive parameters should be calculated by adding the values shown below to the MEMOBUS register number.

Read command code: MEMOBUS register + 1000H

Write command code: MEMOBUS register + 2000H

EXAMPLE: Acceleration time command code for C1-01 is 200H. Get the read command code by adding 1000H, yielding 1200H

- Note:**
1. For a list of command codes, write data units, and setting ranges, refer to the technical manual for the drive the CC-Link Option is connected to.
 2. Refer to the MEMOBUS/Modbus Data Table in Appendix C of the technical manual for the drive the CC-Link Option is connected to for a list of monitor data using the MEMOBUS/Modbus message area.

8 CC-Link Data Table

◆ Remote I/O

The drive takes up a single station address in the buffer memory or the PLC. The table below shows the drive I/O as seen from the PLC side.

Note: Refer to the PLC's programming manual for information on the PLC's buffer memory.

■ PLC → Drive

Table 6 Remote I/O Table (PLC → Drive)

Signal	Name	Description	Default
RY0	Forward Run	ON: Forward Run Command, OFF: Stop	–
RY1	Reverse Run	ON: Reverse Run Command, OFF: Stop	–
RY2	Terminal S3 Function	Multi-function input: H1-03	(H1-03 = 24: External Fault)
RY3	Terminal S4 Function	Multi-function input: H1-04	(H1-04 = 14: Fault Reset)
RY4	Terminal S5 Function	Multi-function input: H1-05	(H1-05 = 3: Multi-Step Speed 1)
RY5	Terminal S6 Function	Multi-function input: H1-06	(H1-06 = 4: Multi-Step Speed 2)
RY6	Terminal S7 Function	Multi-function input: H1-07	(H1-07 = 6: Jog Reference)
RY7	Terminal S8 Function	Multi-function input: H1-08	(H1-08=8, baseblock command)
RY8	Reserved	–	–
RY9	Drive Output Interrupt	ON: Motor coasts to stop. OFF: Drive will begin operating as soon as a Run command is given.	–
RYA	External Fault	ON: External Fault Input (EF0)	–
RYB	Motor Revolutions / Output Frequency Switch	Data contents for the remote register RW_{R1} switches between motor revolutions and output frequency.	Motor rotations are displayed when not in V/f or OLV for PM.
RYC	Monitor Reference	ON: Monitor data specified in the monitor code is set to remote register RW_{R0} .	–
RYD	Frequency Reference 1	Frequency set to remote register RW_{W1} becomes the operating frequency for the drive.	–

8 CC-Link Data Table

Signal	Name	Description	Default
RYE	Frequency Reference 2	Sets the frequency in the remote register RW_{W1} to parameter d1-01 (Frequency Reference 1) and as the drive's main frequency reference at the same time. Note: If the frequency reference is set to be provided by the operator (i.e, b1-01 = 0), then switching on RYE changes the frequency reference.	All parameter settings are saved when this flag is switched on. Triggered by the rising edge of the signal.
RYF	Command Code Execute Request	Request to execute the command code.	Triggered by the rising edge of the signal.
RY10 to 13	Reserved	–	–
RY14	Terminal S1 Function	Multi-function input: H1-01	Function is disabled when for the Forward Run Command (H1-01 = 40).
RY15	Terminal S2 Function	Multi-function input: H1-02	Function is disabled when for the Reverse Run Command (H1-02 = 41).
RY16 to 19	Reserved	–	–
RY1A	Fault Reset	Resets a drive fault	–
RY1B to 1F	Reserved	–	–

- Note:**
1. If making frequent setting changes, use RYD (Frequency Reference 1 flag) for setting the register. Using RYE (Frequency Reference 2 flag) too often can shorten the performance life of the drive's internal memory.
 2. Although RYE and RYF are triggered by the rising edge of the signal, they are otherwise enabled depending on the value that is input. When switching between monitors using RYC (Monitor Reference), RYC needs to be turned off and then back on again after the monitor code has been changed.

8 CC-Link Data Table

■ Drive → PLC

Table 7 Remote I/O Table (Drive → PLC)

Device	Signal Name	Description	Default
RX0	Forward Run	ON: Forward Run Command Present (includes DC Injection Braking) OFF: No Forward Run Command	–
RX1	Reverse Run	ON: Reverse Run Command Present OFF: No Reverse Run Command (includes DC Injection Braking)	–
RX2	Terminals MA, MB, MC Function	Multi-function output: H2-01	(H2-01 = E: Fault)
RX3	Speed Agree	ON: Output frequency is between frequency reference and the detection width set to L4-02.	–
RX4	During Stall Prevention	–	–
RX5	During Undervoltage	–	–
RX6	Terminal P1 Function	Multi-function output: H2-02	(H2-02 = 0: During Run)
RX7	Terminal P2 Function	Multi-function output: H2-03	(H2-03 = 2: Speed Agree 1)
RX8, 9	Reserved	–	–
RXA	CC-Link Option Fault	Comm. error between drive and CC-Link device	–
RXB	Monitoring Motor Revolutions	ON: Currently monitoring motor revolutions.	Data is stored in remote register RW _{R1} .
RXC	Obtain Monitor Data	ON: Monitor data has been updated.	–
RXD	Frequency Setting Ready 1	ON: Displays the main frequency reference that has been set.	–
RXE	Frequency Setting Ready 2	ON: Displays the data set to d1-01 (Frequency Reference 1). Note: Also sets the main frequency reference at the same time.	–
RXF	Command Code Execute Complete	ON: Displayed after the specified command code has been executed. RXF signal switches off when the RYF command is no longer present.	–
RX10 to 19	Reserved	–	–
RX1A	Error	ON: Fault occurred on the drive side.	–
RX1B	Remote Station Ready	ON: Drive is ready to operate.	–
RX1C to 1F	Reserved	–	–

Note: If making frequent setting changes, use RYD (Frequency Reference 1 flag) for setting the register. Using RYE (Frequency Reference 2 flag) too often can shorten the performance life of the drive's internal memory.

◆ Remote Register

■ PLC → Drive

Table 8 Remote Register (PLC → Drive)

Remote Register	Name	Description	Request Flag
RW _{W0}	Monitor Code	Sets the code number of the items to be displayed by the monitor.	RYC (Monitor Execute Request)
RW _{W1}	Frequency Setting	Indicates which value is to be used to set the frequency.	<ul style="list-style-type: none"> • RYD (Frequency Reference 1) • RYE (Frequency Reference 2)
RW _{W2}	Command Code	Sets the command code to execute functions such as the fault reset, fault history, parameter read, and so on.	RYF (Command Code Execute Request)
RW _{W3}	Write Data	Sets the value to be used along with RW _{W2} (Command Code) as needed.	

■ Drive → PLC

Table 9 Remote Register (Drive → PLC)

Remote Register	Name	Description	Check Flag
RW _{R0}	Monitor Data	Monitor data is stored according to RW _{W0} (Monitor Code).	RXC (while monitoring)
RW _{R1}	Output Frequency	Output frequency has been set without any errors. Set in the units specified by o1-03 (Frequency Reference Setting Units).	—
RW _{R2}	Response Code	Sets 00H when there are no problems with RW _{W2} (Command Code) and RW _{W3} (Write Data). Sets 01H through 03H if an error occurs. Response Code: 00h: Normal 01h: Write-mode error (attempted to write during run, etc.) 02h: Command code error 03h: Data setting range error	RXF (Command Code Execute Complete)
RW _{R3}	Read Data	Data is set according to the command code.	

9 Troubleshooting

◆ Drive-Side Error Codes

Drive-side error codes appear on the drive's operator. Causes of the errors and corrective actions are listed in [Table 10](#).

For additional error codes that may appear on the operator screen, refer to the technical manual for the drive the CC-Link Option is connected to.

■ Faults

Both bUS (CC-Link Option Communication Error) and EF0 (External Fault Input from the CC-Link Option) can appear as an alarm or as a fault. When a fault occurs, the digital operator ALM LED remains. When an alarm occurs, the digital operator ALM LED flashes.

If communication stops while the drive is running, answer the following questions to help remedy the fault:

- Is the CC-Link Option properly installed?
- Is the communication line properly connected to the CC-Link Option? Is it loose?
- Is the PLC program working? Has the PLC CPU stopped?
- Did a momentary power loss interrupt communications?

Table 10 Fault Display and Possible Solutions

Operator Display		Fault Name
bUS	bUS	CC-Link Option Communication Error
		After establishing initial communication, the connection was lost. Only detected when the run command or frequency reference is assigned to the option (b1-03 = 3 or b1-02 = 3).
Cause		Possible Solution
Master controller (PLC) has stopped communicating.		Check for faulty wiring. ⇒ Correct any wiring problems.
Communication cable is not connected properly.		
A data error occurred due to noise		Check the various options available to minimize the effects of noise. ⇒ Take steps to counteract noise in the control circuit wiring, main circuit lines, and ground wiring. ⇒ If a magnetic contactor is identified as a source of noise, install a surge absorber to the contactor coil. ⇒ Use cables recommended by Yaskawa, or another type of shielded line. The shield should be grounded on the PLC side and on the CC-Link Option side.
CC-Link Option is damaged.		⇒ If there are no problems with the wiring and the error continues to occur, replace the CC-Link Option.

Operator Display		Fault Name
EFO	EFO	External Fault Input from CC-Link Option
		The alarm function for an external device has been triggered.
Cause		Possible Solution
An external fault is being sent from the master controller (PLC).		⇒ Remove the cause of the external fault. ⇒ Reset the external fault input from the PLC device.
Problem with the PLC program		⇒ Check the program used by the PLC and make the appropriate corrections.
Operator Display		Fault Name
oFA00	oFA00	CC-Link Option Fault (CN5-A)
		CC-Link Option is not properly connected.
Cause		Possible Solution
Non-compatible option connected to the drive		⇒ Connect an option that is compatible with the drive.
Operator Display		Fault Name
oFA01	oFA01	CC-Link Option Fault (CN5-A)
		CC-Link Option is not properly connected.
Cause		Possible Solution
Problem with the connectors between the drive and CC-Link Option		⇒ Turn the power off and check the connectors between the drive and CC-Link Option.
Operator Display		Fault Name
oFA30 to oFA43	oFA30 to oFA43	CC-Link Option Fault (CN5-A)
		Communication ID error
Cause		Possible Solution
CC-Link Option hardware fault		⇒ Replace the CC-Link Option. Contact Yaskawa for assistance.
Operator Display		Fault Name
oFb00	oFb00	CC-Link Option Fault (CN5-B)
		Non-compatible option card is connected.
Cause		Possible Solution
Non-compatible option connected to the drive.		⇒ Connect the correct option card to CN5-A.
Operator Display		Fault Name
oFb02	oFb02	CC-Link Option Fault (CN5-B)
		Two of the same option cards are connected at the same time.

9 Troubleshooting

Cause		Possible Solution
Option cards AI-A3 or D1-A3 were connected to the CN5-B port while an option card was already connected to CN5-A.		⇒ Only one type of option input card AI-A3 or D1-A3 can be connected to the drive. Only this option card for CANopen can be connected to CN5-A.
Operator Display		Fault Name
	oFc00	CC-Link Option Fault (CN5-C) Non-compatible option card is connected.
Cause		Possible Solution
Non-compatible option connected to the drive.		⇒ Connect the correct option card to CN5-A.
Operator Display		Fault Name
	oFc02	CC-Link Option Fault (CN5-C) Two of the same option cards are connected at the same time.
Cause		Possible Solution
Option cards AI-A3 or D1-A3 were connected to the CN5-C port while an option card was already connected to CN5-A.		⇒ Only one type of option input card AI-A3 or D1-A3 can be connected to the drive. Only this option card for CANopen can be connected to CN5-A.

■ Minor Faults and Alarms

Operator Display		Minor Fault Name	
	AEr	Station Address Error CC-Link Option is set to an address outside the allowable setting range.	
Cause		Possible Solution	Minor Fault (H2-□□ = 10)
Address outside the specified address range		⇒ Set F6-10 to an address within the specified range.	YES
Operator Display		Minor Fault Name	
	CALL	Serial Communication Transmission Error Communication has not yet been established.	
Cause		Possible Solution	Minor Fault (H2-□□ = 10)
Communication wiring is faulty, there is a short circuit, or something is not connected properly.		Check for wiring errors. ⇒ Correct the wiring. ⇒ Remove and ground shorts and reconnect loose wires.	YES
Programming error on the master side		⇒ Check communications at start-up and correct programming errors.	

Communication circuitry is damaged.	Perform a self-diagnostics check. ⇒ Replace the drive if the fault continues to occur.	YES
-------------------------------------	---	-----

◆ Fault LED Display on CC-Link Option Side

■ Checking LED Operation

Table 11 LED Display

L.RUN	Switches on when data is being received normally. Turns off when the receive data is interrupted.
SD	Lights whenever the drive is sending data.
RD	Lights whenever the drive is receiving data.
L.ERR	Lights when a CRC or abort error occurs.

Note: If communication stops while the drive is running, check the following:

- Is the CC-Link properly installed?
- Is the CC-Link communication line connected to the CC-Link Option correctly? Is it loose?
- Is the PLC program working? Has the PLC CPU stopped?
- Did a momentary loss in power interrupt communications?

■ Faults that Occur with a Single Drive

The example below demonstrates how to read the LED display on the front cover of the drive to determine the cause of a fault and corrective action.

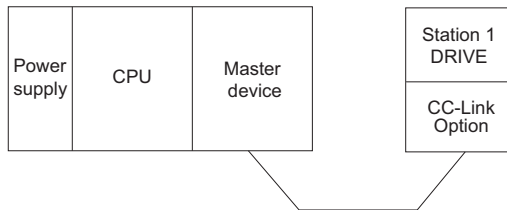


Figure 10 Connecting a Single Drive

Table 12 LED Fault Display for CC-Link Option with a Single Drive

○: On / □: Flashing / ×: Off / *: Either on or off

L.RUN	SD	RD	L.ERR	Cause	Possible Solution
○	○	○	×	Normal communications	-
○	○	○	□	Error has occurred but communication is normal	⇒ Remove the source of noise interference.

9 Troubleshooting

○: On / □: Flashing / ×: Off / *: Either on or off

L.RUN	SD	RD	L.ERR	Cause	Possible Solution
○	○	×	□	Problem with the hardware	⇒Try cycling the power. Replace the CC-Link Option if the problem continues.
○	○	×	×	Problem with the hardware	⇒Try cycling the power. Replace the CC-Link Option if the problem continues.
○	×	○	□	CRC error with the data received, and no response can be sent	⇒Remove the source of noise interference.
○	×	○	×	No station address received	⇒Check the PLC program and the operation where the problem occurred.
○	×	×	□	Problem with the hardware	⇒Try cycling the power. Replace the CC-Link Option if the problem continues.
○	×	×	×	Problem with the hardware	⇒Try cycling the power. Replace the CC-Link Option if the problem continues.
×	○	○	□	A response was received after polling, but a CRC error occurred when the reflex data was checked	⇒Remove the source of noise interference.
×	○	○	×	Problem with the hardware	⇒Try cycling the power. Replace the CC-Link Option if the problem continues. ⇒See if the master device is actually set to function as a remote device station.
×	○	×	□	Problem with the hardware	⇒Try cycling the power. Replace the CC-Link Option if the problem continues.
×	○	×	×	Problem with the hardware	⇒Try cycling the power. Replace the CC-Link Option if the problem continues.
×	×	○	□	CRC errors occurs when the station address is checked.	⇒Remove the source of noise interference.
×	×	○	×	<ul style="list-style-type: none"> • No station address • Cannot receive station address due to noise interference 	⇒Remove the source of noise interference.
×	×	×	□	Problem with the hardware	⇒Try cycling the power. Replace the CC-Link Option if the problem continues.

○: On / □: Flashing / ×: Off / *: Either on or off

L.RUN	SD	RD	L.ERR	Cause	Possible Solution
×	×	×	×	Data cannot be received (CC-Link communications cable may be disconnected)	⇒Check the wiring.
×	×	*	○	The station address or communications speed is set incorrectly	⇒Enter the proper settings and cycle power.
○	○	○	□	The station address or communications speed was changed without cycling power afterwards.	⇒Return any incorrect settings to their original values and cycle power. ⇒Enter the proper settings and cycle power.

Note: SD and RD may appear to flash with slower baud rates.

■ Faults when running multiple drives

The example below demonstrates how to read the LED display on the front cover of the drive to determine the cause of a fault and the corrective action to take when multiple drives are running from the same network. The example assumes that SW, M/S, and PRM on the master device are all off, indicated that the master device is operating normally.

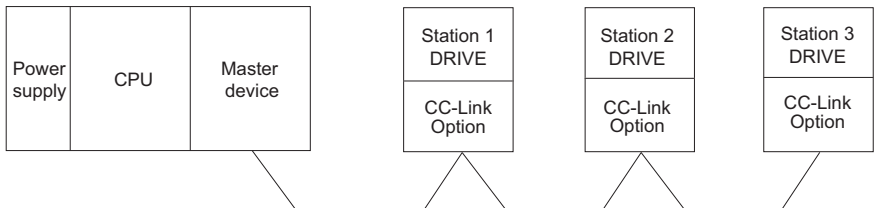


Figure 11 Connecting Multiple Drives on the Same Network

9 Troubleshooting

Table 13 LED Fault Display for CC-Link Option with Multiple Drives

○: On / □: Flashing / ×: Off / *: Either on or off

LED Status				Cause	Corrective Action
Master	Remote Device Addresses (CC-Link Option)				
	Station 1	Station 2	Station 3		
TIME ○ LINE ○ or TIME × LINE ○	L.RUN ○ SD ○ RD ○ L.ERR ×	L.RUN ○ SD ○ RD ○ L.ERR ×	L.RUN ○ SD ○ RD ○ L.ERR ×	Normal operation	—
	L.RUN × SD × RD × L.ERR ×	L.RUN ○ SD ○ RD ○ L.ERR ×	L.RUN ○ SD ○ RD ○ L.ERR ×	The CC-Link Option for the first station is not properly installed.	⇒Make sure the CC-Link Option and drive are connected together properly.
	L.RUN * SD * RD * L.ERR *	L.RUN ○ SD ○ RD ○ L.ERR ×	L.RUN ○ SD ○ RD ○ L.ERR ×	The CC-Link Option for the first station is damaged (most often all LEDs are out). Note: Sometimes and error will appear on the drive's operator	⇒Replace the CC-Link Option.
	L.RUN ○ SD ○ RD ○ L.ERR ×	L.RUN × SD * RD * L.ERR ×	L.RUN × SD * RD * L.ERR ×	Because L.RUN after Station 2 is off, either the comm. line between Station 1 and Station 2 is disconnected, or the terminal block has come loose.	Make sure components are connected correctly, using the LEDs as a guide to indicate a proper connection.
	L.RUN × SD * RD * L.ERR ×	L.RUN × SD * RD * L.ERR ×	L.RUN × SD * RD * L.ERR ×	Comm cable has short-circuited	⇒Look for any short-circuits along the communication lines and fix any problems.
	L.RUN × SD * RD * L.ERR *	L.RUN × SD * RD * L.ERR *	L.RUN × SD * RD * L.ERR *	Comm cable is not wire properly	⇒Check the wiring for the CC-Link Option terminal block and fix and mistakes.
	L.RUN × SD * RD ○ L.ERR ×	L.RUN ○ SD ○ RD ○ L.ERR ×	L.RUN × SD * RD ○ L.ERR ×	The CC-Link Options for Station 1 and Station 3 have been assigned the same address.	⇒Enter the correct station address and cycle power.
	L.RUN ○ SD ○ RD ○ L.ERR ×	L.RUN × SD × RD ○ L.ERR ×	L.RUN ○ SD ○ RD ○ L.ERR ×	The CC-Link Option for Station 2 has a different comm speed setting than the master device.	⇒Set the correct communication speed and cycle power.

9 Troubleshooting

○: On / □: Flashing / ×: Off / *: Either on or off

LED Status				Cause	Corrective Action
Master	Remote Device Addresses (CC-Link Option)				
	Station 1	Station 2	Station 3		
TIME ○ LINE ○ or TIME × LINE ○	L.RUN ○ SD ○ RD ○ L.ERR ×	L.RUN ○ SD ○ RD ○ L.ERR ×	L.RUN ○ SD ○ RD ○ L.ERR □	The settings for the CC-Link Option connected to Station 3 were changed without cycling power.	⇒Return any incorrect settings to their original values and cycle power. ⇒Enter the proper settings and cycle power.
	L.RUN × SD × RD ○ L.ERR ○	L.RUN ○ SD ○ RD ○ L.ERR ×	L.RUN ○ SD ○ RD ○ L.ERR ×	Parameters related to the CC-Link Option (F6-10, F6-11) for Station 1 are set outside the acceptable range.	⇒ Set F6-10 and F6-11 correctly and cycle power.
TIME × LINE × or TIME ○ LINE ×	L.RUN ○ SD ○ RD ○ L.ERR ×	L.RUN ○ SD ○ RD ○ L.ERR ○	L.RUN ○ SD ○ RD ○ L.ERR ×	The CC-Link Option connected to Station 2 is experiencing noise interference (L.RUN is sometimes off).	⇒Make sure that the CC-Link Options, drives, and master device are all grounded properly.
	L.RUN ○ SD ○ RD ○ L.ERR ×	L.RUN ○ SD ○ RD ○ L.ERR ○	L.RUN ○ SD ○ RD ○ L.ERR ○	Noise interference along the cable running between Station 2 and Station 3. (L.RUN is sometimes off)	⇒Reconnect the comm line to the SLD terminal on the CC-Link Option. Also make sure that all power cables are properly separated from comm lines (at least 100 mm away).
	L.RUN ○ SD ○ RD ○ L.ERR ×	L.RUN ○ SD ○ RD ○ L.ERR ×	L.RUN ○ SD ○ RD ○ L.ERR ○	Terminal resistor not connected. (L.RUN is sometimes off)	⇒Set up the final station in the series for terminal resistor.

10 Specifications

◆ Specifications

Table 14 Option Specifications

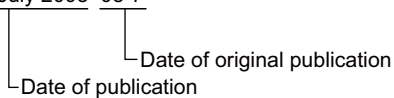
Model	SI-C3 (PCB model: SI-C3)
CC-Link Version	Version 1.10
Station Type	Remote device station
No. of Occupied Stations	1
Communication Speed	156 kbps to 10 Mbps
Ambient Temperature	-10°C to +50°C
Humidity	up to 95% RH (no condensation)
Storage Temperature	-20°C to +60°C (allowed for short-term transport of the product)
Area of Use	Indoors (free of corrosive gas, airborne particles, etc.)
Altitude	Up to 1000 m

◆ Revision History

The revision dates and numbers of the revised manuals are given on the bottom of the back cover.

MANUAL NO. TOBP C730600 44A

Published in Japan July 2008 08-7



Date of Publication	Rev. No.	Section	Revised Content
July 2008	–	–	First edition

YASKAWA AC Drive-Option Card

CC-Link

Installation Manual

IRUMA BUSINESS CENTER (SOLUTION CENTER)

480, Kamifuji-sawa, Iruma, Saitama 358-8555, Japan
Phone 81-4-2962-5696 Fax 81-4-2962-6138

YASKAWA ELECTRIC AMERICA, INC.

2121 Norman Drive South, Waukegan, IL 60085, U.S.A.
Phone 1-847-887-7000 Fax 1-847-887-7370

YASKAWA ELÉTRICO DO BRASIL LTDA.

Avenida Fagundes Filho, 620 São Paulo-SP CEP 04304-000, Brazil
Phone 55-11-3585-1100 Fax 55-11-5581-8795

YASKAWA ELECTRIC EUROPE GmbH

Hauptstraße 185, 65760 Eschborn, Germany
Phone 49-6196-569-300 Fax 49-6196-569-398

YASKAWA ELECTRIC UK LTD.

1 Hunt Hill Orchardton Woods Cumbernauld, G68 9LF, United Kingdom
Phone 44-1236-735000 Fax 44-1236-458182

YASKAWA ELECTRIC KOREA CORPORATION

7F, Doore Bldg. 24, Yeoido-dong, Youngdungpo-Ku, Seoul 150-877, Korea
Phone 82-2-784-7844 Fax 82-2-784-8495

YASKAWA ELECTRIC (SINGAPORE) PTE. LTD.

151 Lorong Chuan, #04-01, New Tech Park 556741, Singapore
Phone 65-6282-3003 Fax 65-6289-3003

YASKAWA ELECTRIC (SHANGHAI) CO., LTD.

No.18 Xizang Zhong Road, Room 1702-1707, Harbour Ring Plaza Shanghai 200001, China
Phone 86-21-5385-2200 Fax 86-21-5385-3299

YASKAWA ELECTRIC (SHANGHAI) CO., LTD. BEIJING OFFICE

Room 1011A, Tower W3 Oriental Plaza, No.1 East Chang An Ave.,
Dong Cheng District, Beijing 100738, China
Phone 86-10-8518-4086 Fax 86-10-8518-4082

YASKAWA ELECTRIC TAIWAN CORPORATION

9F, 16, Nanking E. Rd., Sec. 3, Taipei, Taiwan
Phone 886-2-2502-5003 Fax 886-2-2505-1280



YASKAWA

YASKAWA ELECTRIC CORPORATION

In the event that the end user of this product is to be the military and said product is to be employed in any weapons systems or the manufacture thereof, the export will fall under the relevant regulations as stipulated in the Foreign Exchange and Foreign Trade Regulations. Therefore, be sure to follow all procedures and submit all relevant documentation according to any and all rules, regulations and laws that may apply. Specifications are subject to change without notice for ongoing product modifications and improvements.

© 2008 YASKAWA ELECTRIC CORPORATION. All rights reserved.

MANUAL NO. TOBP C730600 44A

Published in Japan July 2008 08-7

08-5-3